

nurus



Alava on Glides

Design by **Stefan Brodbeck**

Alava on Glides

Alava on low profile bell glides offers improved stability for home-office use and lounges. Backrest allows for up to 8 degrees of recline angle and may be fixed in an upright position. On Glides is a height adjustable swivel seat with optional writing pad support.

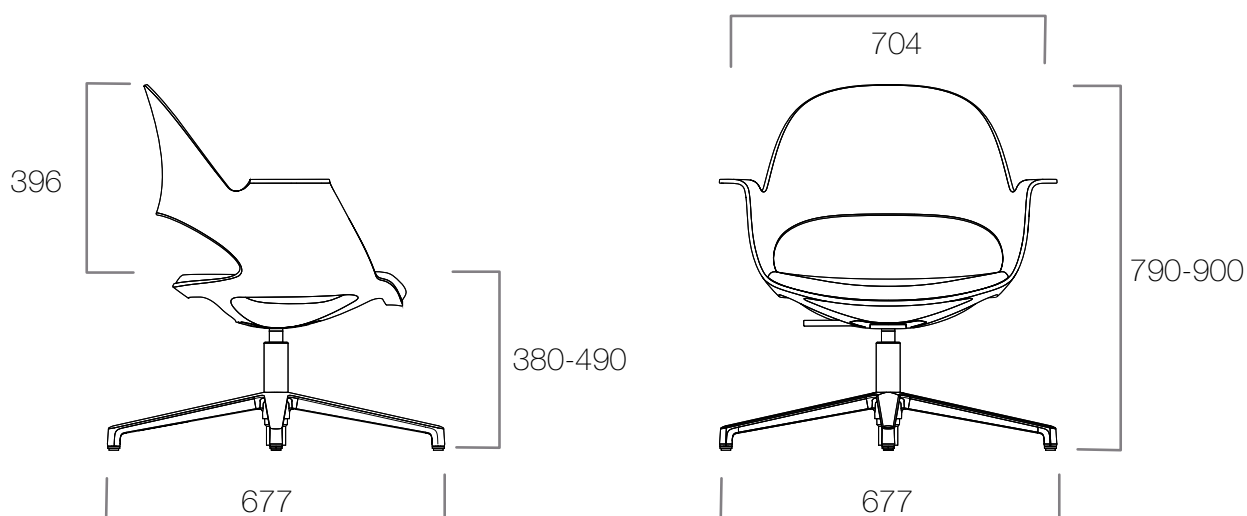
We've used minimum material when interpreting the Alava design: It is eco-friendly, totally recyclable and has been recognized an award at the annual Green Good Design Awards for Energy Conversion; waste and pollution efficiency. Alava's polypropylene uni-body, its cushioning and backrest are manufactured from materials that are a hundred percent recyclable, including any aluminum in various builds.

Design by Stefan Brodbeck

Stefan Brodbeck studied product design and architecture in Kassel. He started his professional life by working with Eichinger oder Knechtl architectures in Vienna. Brodbeck, who specialized in various fields ranging from home and office furnitures to industrial products, and from exhibition planning to design; founded his own design studio called Brodbeck Design in 1994.



DIMENSIONS (mm)



Dimensions defined in millimeters.

Materials

Legs come with painted or chrome plated. Polypropylene body comes with black or light grey options and upholstery is available in different materials.*

Fabric

Upholstery available in fabric, leather and eco-leather.*

*Please refer to technical document.