



Otto

OTTO

Otto is a new generation work system that entwines technology with user-centered design. Otto enables multiple working postures by supporting both seated and standing positions.

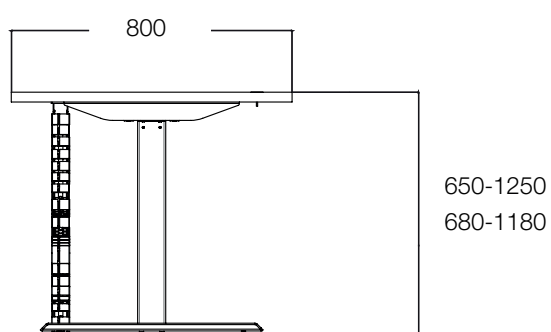
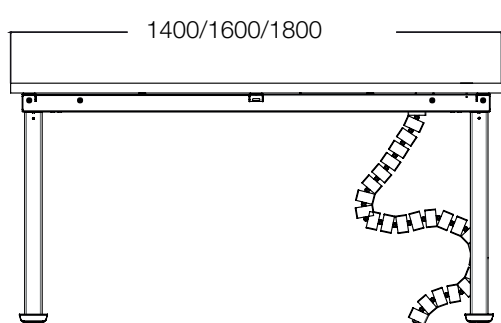
In accordance with international norms, Otto's mechanism allows continuous adjustment of two alternative desktop heights; either from 68 cm to 118 cm or 65 cm to 125 cm. It is possible to make the height adjustments either with the built-in controls or wirelessly via Bluetooth 4.0 technology on a smart phone or tablet, through a complimentary application.

Designed by Nurus D Lab

Nurus D Lab, always up to date with both scientific and technological developments; designs products that are ahead of their time by observing the needs of users and listening to their dreams. The end product that is presented to the user is the best one among countless options, emerging from brilliant ideas. Nurus D Lab manages all the steps that are taken from setting the brand's design strategy to the market launch.

Comfort at every level





Dimensions defined in millimeters.

Design

Nurus D Lab

Materials

Melamine, Veneer and Recomposed Veneer* are available for table tops. According to EN 527-1 norms height adjustment range is between 68-118 cm or 65-125 cm.

* Please refer to material box.