



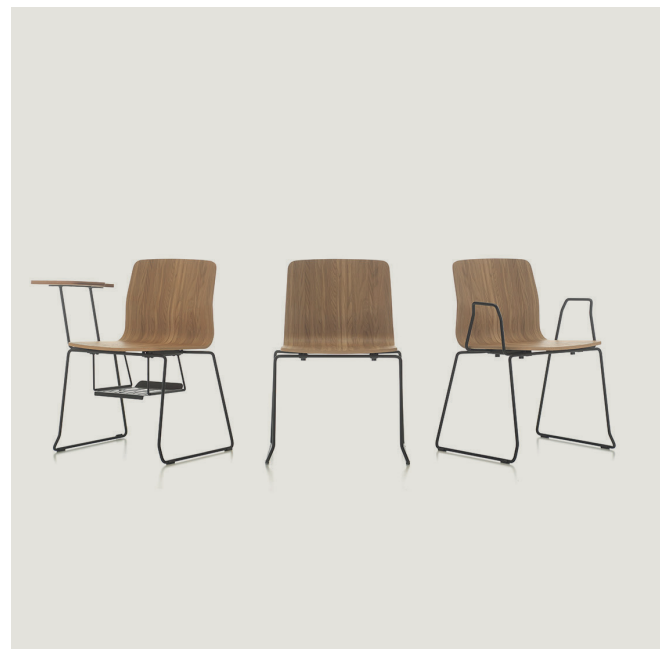
Eon Sledge

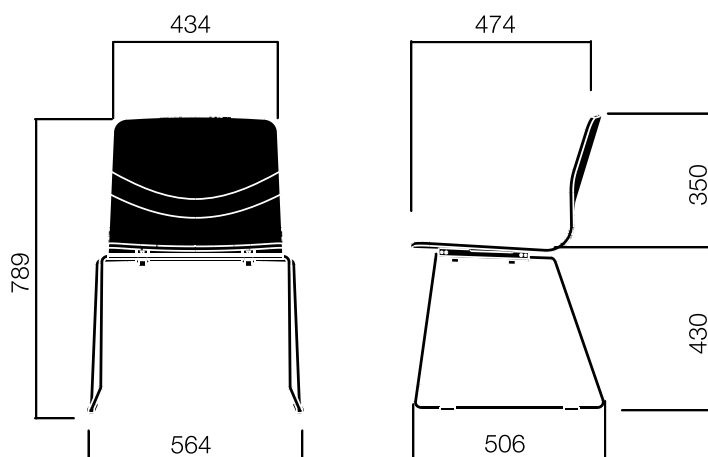
Eon Sledge Chair

Eon Sledge Chair offers comfort with its unique, critically designed back curve and holistic body which is specific to its wide range product family. Its connectability feature provides safety for conference rooms, educational establishments and common areas like waiting areas. It is also the ideal choice for cafes, restaurants and other recreational spaces. Eon Sledge Chair may be individualized with accessories like the writing pad, armrest and storage space and offers multipurpose use with different levels of functionality and aesthetics. It comes with powder and chrome plating options. Eon has a wide range of material options such as wooden, laminated and upholstered surface.

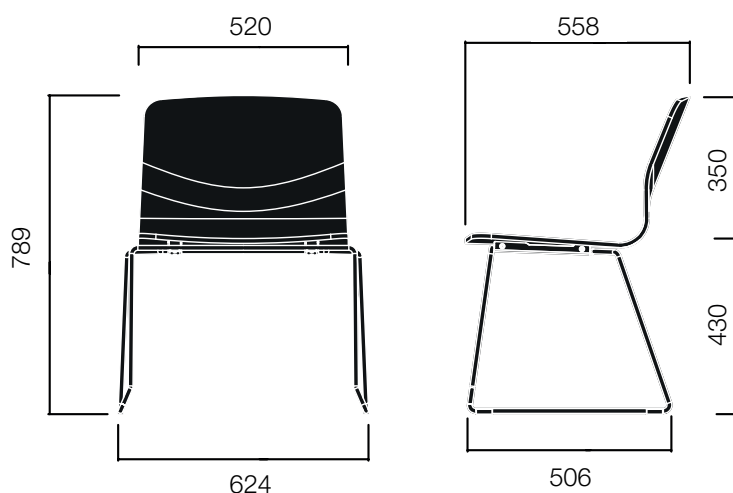
Designed by Nurus D Lab

Nurus D Lab, always up to date with both scientific and technological developments; designs products that are ahead of their time by observing the needs of users and listening to their dreams. The end product that is presented to the user is the best one among countless options, emerging from brilliant ideas. Nurus D Lab manages all the steps that are taken from setting the brand's design strategy to the market launch.





Eon Sledge Chair



Eon Lounge Sledge Chair

Dimensions defined in millimeters.

Design

Nurus D Lab

Materials

Legs come with powder coating or chrome plating options*. Seats comes with veneer, laminate or upholstery options*.

Fabric

Upholstery available in Fabric 1, Fabric 2A and eco-leather.*

* Please refer to material box.