



Eon Learning Chairs

Eon Learning Chairs

Learning is not a stage, it is an ongoing process through the human life. Whether behind a school desk or as a single chair with writing pad, Eon family also serves for educational purposes.

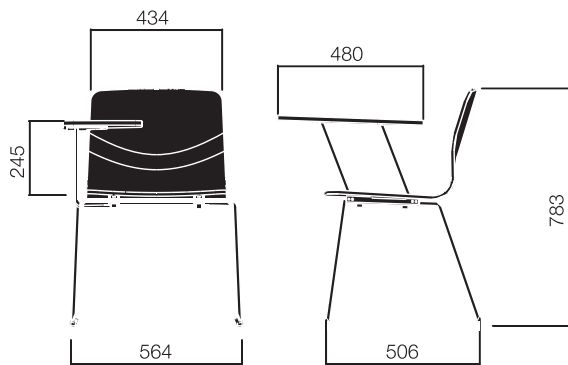
Besides its durable fixed writing pad, Eon has sliding writing pad for both right and left-handed users. Optional basket allows a neat storage for personal items.

Forming a huge product family, consisting of many variations and customizable features, Eon carries home comfort and warmth to any environment.

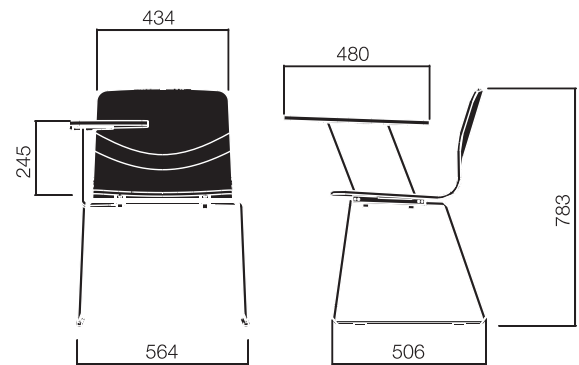
Designed by Nurus D Lab

Nurus D Lab, always up to date with both scientific and technological developments; designs products that are ahead of their time by observing the needs of users and listening to their dreams. The end product that is presented to the user is the best one among countless options, emerging from brilliant ideas. Nurus D Lab manages all the steps that are taken from setting the brand's design strategy to the market launch.

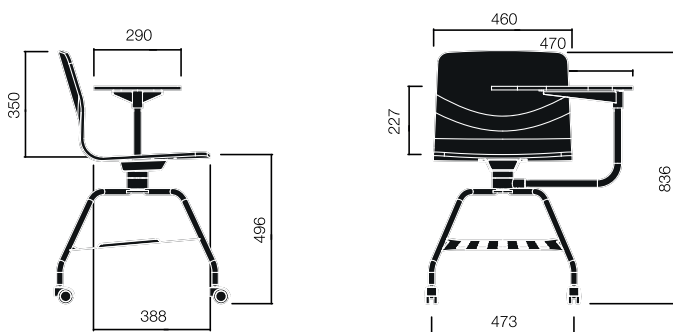




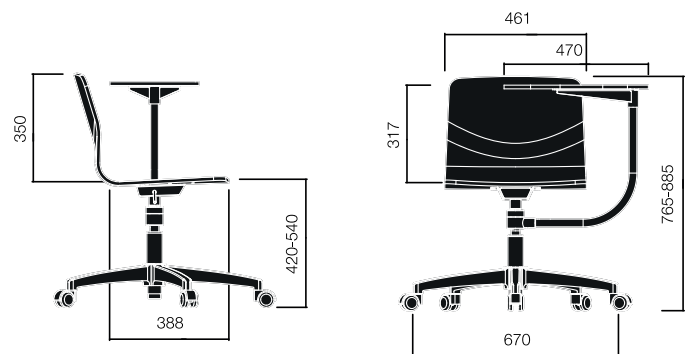
Eon Chair with Writing Pad



Eon Sledge with Writing Pad



Eon Swivel



Dimensions defined in millimeters.

Design

Nurus D Lab

Materials

Legs come with powder coating or chrome plating options*. Seats comes with veneer, laminate or upholstery options*.

Fabric

Upholstery available in Fabric 1, Fabric 2A and eco-leather*.

* Please refer to material box.