

**nurus**



# Alava with Writing Pad

Tasarım **Stefan Brodbeck**

---

## Alava with Writing Pad

Seminars, conferences, classes or quick meetings... Alava with optional writing pad provides the extended usage area you seek in learning spaces. Easy and smooth operation for left or right handed use. For Wheels and Glides only.

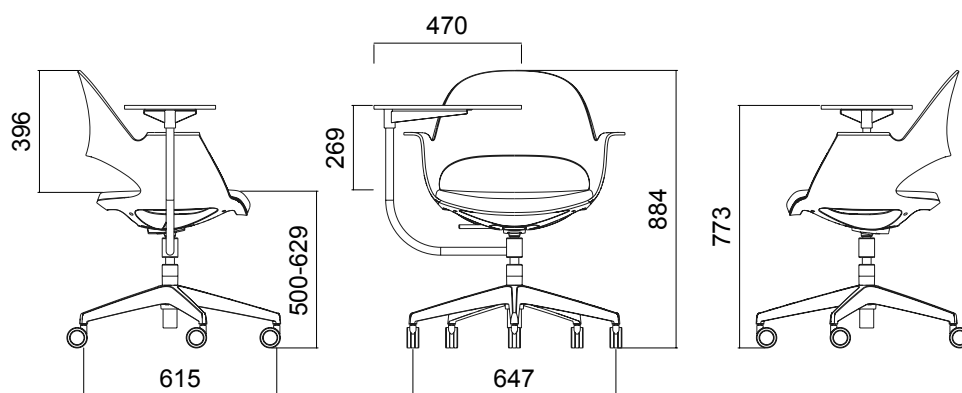
We've used minimum material when interpreting the Alava design: It is eco-friendly, totally recyclable and has been recognized an award at the annual Green Good Design Awards for Energy Conversion; waste and pollution efficiency. Alava's polypropylene uni-body, its cushioning and backrest are manufactured from materials that are a hundred percent recyclable, including any aluminum in various builds.

## Design by Stefan Brodbeck

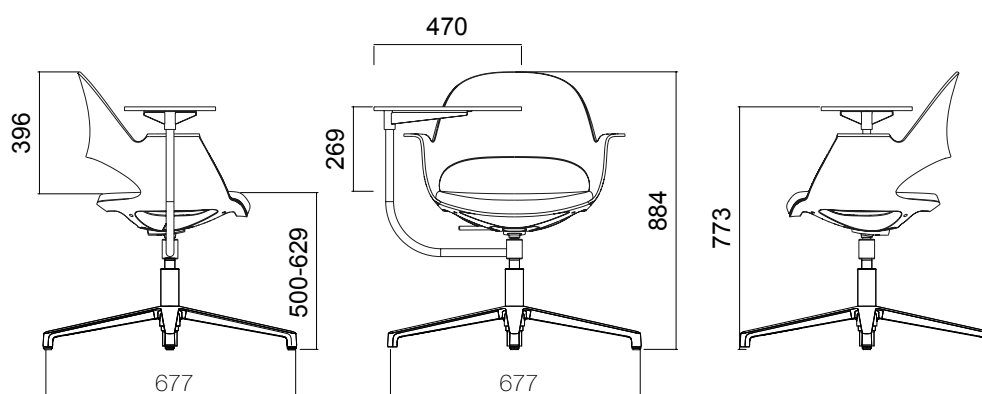
Stefan Brodbeck studied product design and architecture in Kassel. He started his professional life by working with Eichinger oder Knechtl architectures in Vienna. Brodbeck, who specialized in various fields ranging from home and office furnitures to industrial products, and from exhibition planning to design; founded his own design studio called Brodbeck Design in 1994.



## DIMENSIONS (mm)



Alava with Writing Pad on Wheels



Alava with Writing Pad on Glides

Dimensions defined in millimeters.

### Materials

Legs come with painted, chrome or polypropylene (PP) plated on wheels. Legs come with painted or chrome plated on glides. PP body comes with black or light grey options and upholstery is available in different materials.\*

### Fabric

Upholstery available in fabric, leather and eco-leather.\*

\*Please refer to technical document.