

nurus



Alava Bench

Design by **Stefan Brodbeck**

Alava Bench

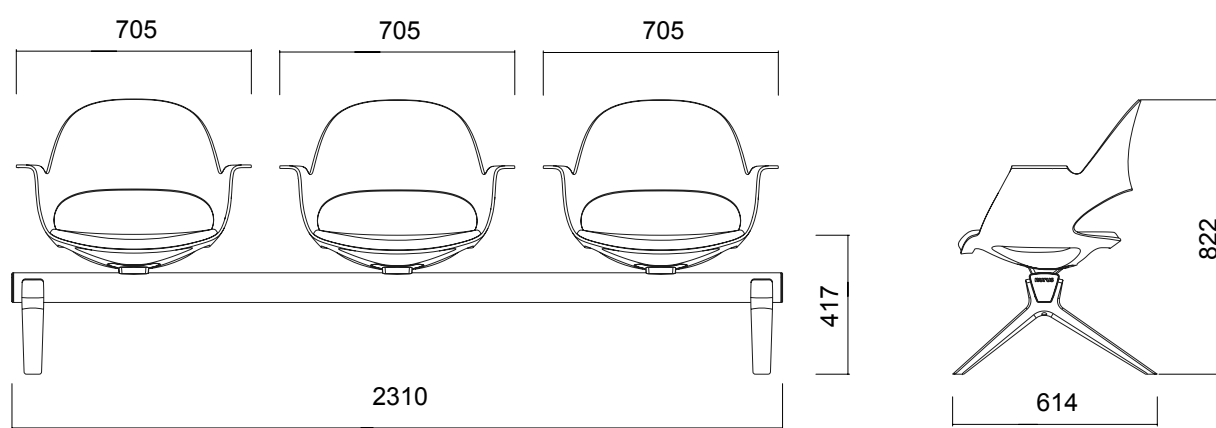
A stripped-down version of the classic: A versatile and modern solution for waiting and reception areas. Allows for various combinations with chair and tables. High-tech, recyclable aluminum frame with wood overlay. Distributed energy and connectivity options (VGA, HDMI, USB etc.) with NurusLinks®.

Design by Stefan Brodbeck

Stefan Brodbeck studied product design and architecture in Kassel. He started his professional life by working with Eichinger oder Knechtl architectures in Vienna. Brodbeck, who specialized in various fields ranging from home and office furnitures to industrial products, and from exhibition planning to design; founded his own design studio called Brodbeck Design in 1994.



DIMENSIONS (mm)



Dimensions defined in millimeters.

Materials

Legs come with painted or chrome plated. Polypropylene body comes with black or light grey options and upholstery is available in different materials.*

Fabric

Upholstery available in fabric, leather and eco-leather.*

*Please refer to technical document.