

nurus



Aura High Backrest

Design by **Nurus D Lab**

Aura High Backrest

A statement of authority, elegance and comfort. High-end comfort for executive managerial areas. Features a 5-star base configuration on caster that provides for a lot of movement.

With Aura, seat pan mimics the curve of the backrest. Craft your style with a wide range of material, color and quilted pattern options.

- Synchronous tilt mechanism is hidden under the upholstery, invisible from the outside.
- Upholstery: Leather, eco-leather or fabric (no patterns applied on fabric upholstery).
- High resilience padding adds comfort.

Design by Nurus D Lab

Always up-to-date with science and technology, Nurus D-Lab designs products that are ahead of their time. Through human-centered observation, prototyping and in respect to trending needs and dreams, the team works diligently. Coming up with meaningful and reflective design solutions only marks the start of the process: From strategy to launch and support, D-Lab manages it all. Each detail is attended and tested through at the advanced level.



PATTERNS

Pattern 00



Pattern 01



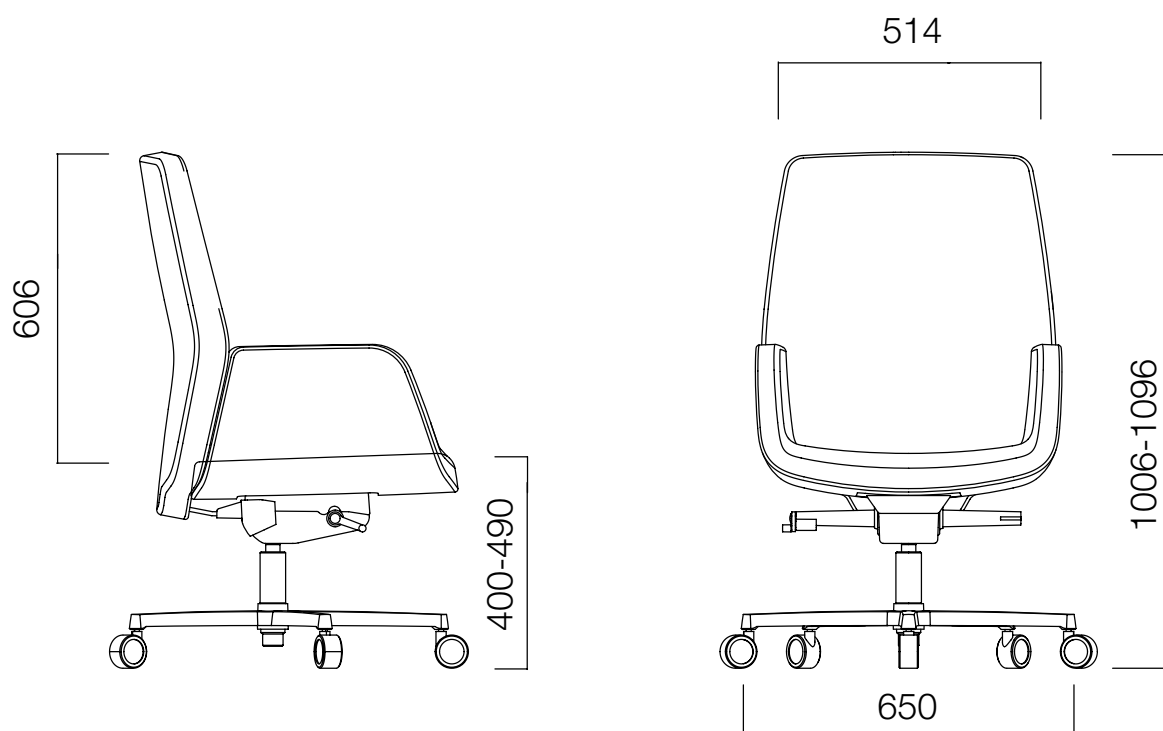
Pattern 02



Pattern 03



DIMENSIONS (mm)



Dimensions defined in millimeters.

Materials

5 star-base legs are chrome plated. Upholstery is available in different materials.*

Patterns

There are four different pattern options. (No patterns applied on fabric upholstery.)*

Upholstery

Upholstery available in fabric, leather and eco-leather.*

*Please refer to technical document.