

nurus



Waves on Glides

Design by **Paul Brooks**

Waves on Glides

Dynamic sitting with high-tech, elastic mesh backrest that smoothly adapts to your movements. Continuous organic form unites backrest with the seat pan. Highly adaptable -to both you and your surroundings- with its elastic structure. An interrupted figure from lightweight, uni-body frame in black or light grey.

With its return spindle which swivels in both directions when seated and returning the seat automatically to original position when vacated.

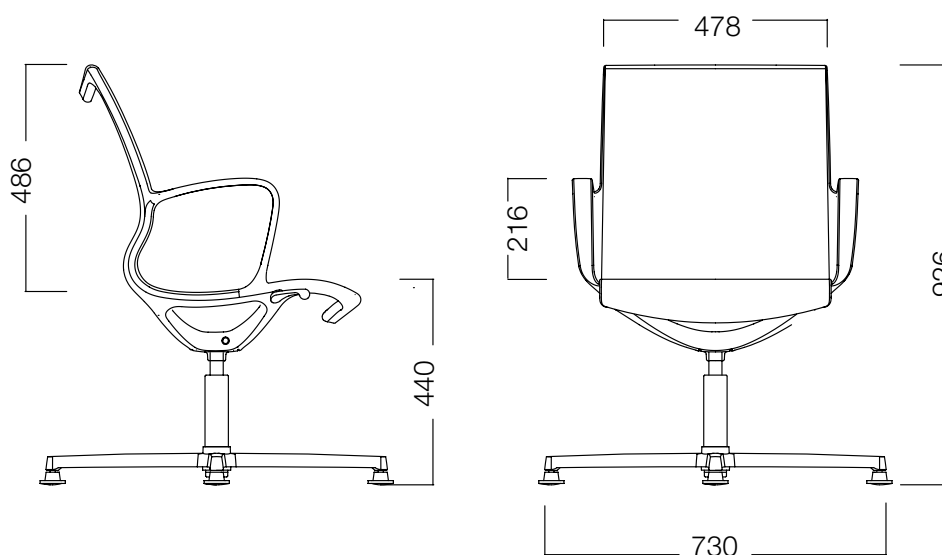
- With 4-star swivel base.

Design by Paul Brooks

Paul Brooks is a British designer who lives in France and works in Germany. An expert in office seating products design, Brooks' Anglo-German studio produces focused and conscious design solutions for furniture companies and suppliers in Europe and America.



DIMENSIONS (mm)



Dimensions defined in millimeters.

Materials

Frame comes with black or light grey options. PP legs comply with the frame color.*

Upholstery

High-tech mesh fabric is available in two colors.*

*Please refer to technical document.