

nurus



Nest

Design by **Nurus D Lab**

Nest

Seating arrangements for conferences or trainings determine the efficiency and the effectiveness of sessions. Having the proper seating arrangement can impact everything from team dynamics to comfort and visibility. We have designed Nest as a functional solution for areas of collective work such as meeting halls, classrooms and conference rooms but you may also use it at your home offices. By making it easy to move around, we aimed to provide a versatile solution that is readily adaptable to the changing number of participants or the purpose of use.

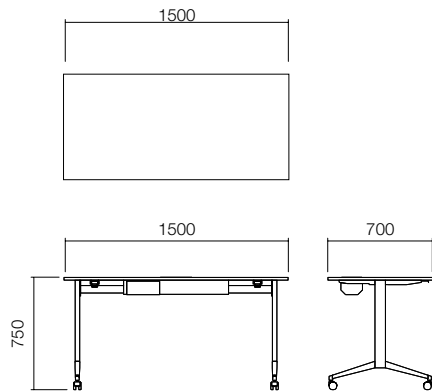
Design by Nurus D Lab

Seating arrangements for conferences or trainings determine the efficiency and the effectiveness of sessions. Having the proper seating arrangement can impact everything from team dynamics to comfort and visibility. We have designed Nest as a functional solution for areas of collective work such as meeting halls, classrooms and conference rooms but you may also use it at your home offices. By making it easy to move around, we aimed to provide a versatile solution that is readily adaptable to the changing number of participants or the purpose of use.

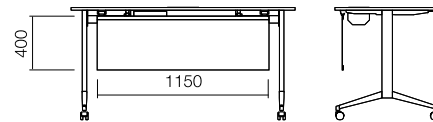
One venue, many layouts.



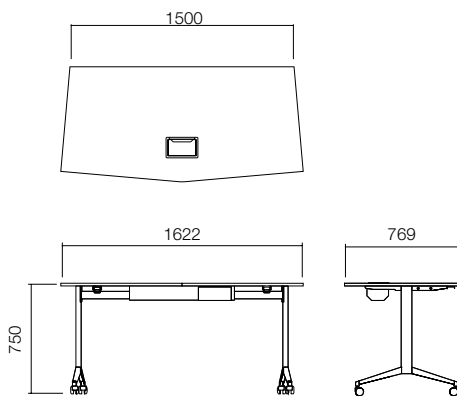
DIMENSIONS (mm)



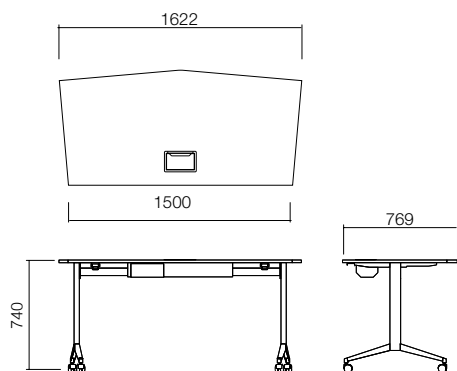
Straight Desk



Front Panel



Angled Starter Desk



Angled Mid Desk

Dimensions defined in millimeters.

Materials

Tabletops have melamine, veneered, vintorio veneered and recomposed veneered options. Legs are metal powder painted. Front panels are made of mesh fabric.*

*Please refer to technical document.