

nurus



# London Bench

Design by **Nurus D Lab**

---

## London Bench

London Bench is our modern take on the age old trestle table and bench design. Lean and sturdy, it may be used as a desk system, a workstation or a meeting table. Compact convertible form allows working individually in concentration or as a team and in collaboration.

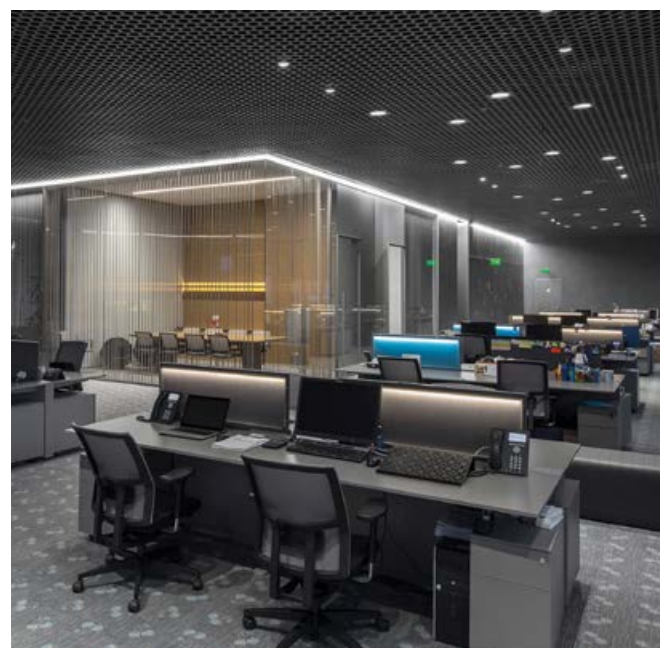
Custom cable tray removes cable clutter; centralizes and facilitates access to power and data connections.

- Double Bench is a smooth table top of 140 centimeters.
- Quatro Bench, with seamless 280 centimeters of uninterrupted work surface.

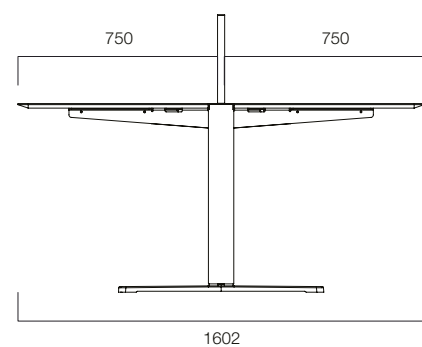
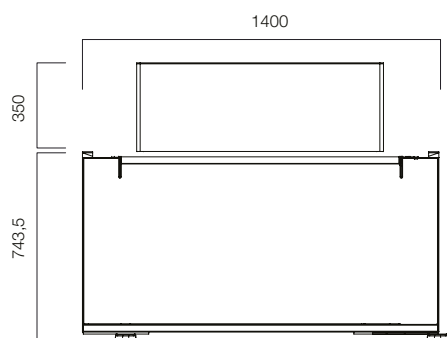
## Design by Nurus D Lab

Always up-to-date with science and technology, Nurus D-Lab designs products that are ahead of their time. Through human-centered observation, prototyping and in respect to trending needs and dreams, the team works diligently. Coming up with meaningful and reflective design solutions only marks the start of the process: From strategy to launch and support, D-Lab manages it all. Each detail is attended and tested through at the advanced level.

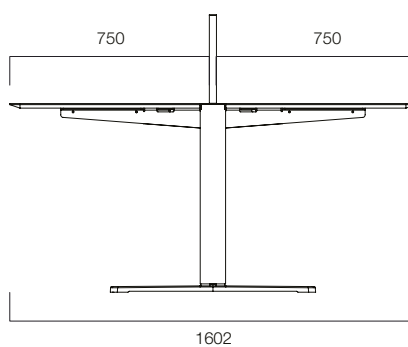
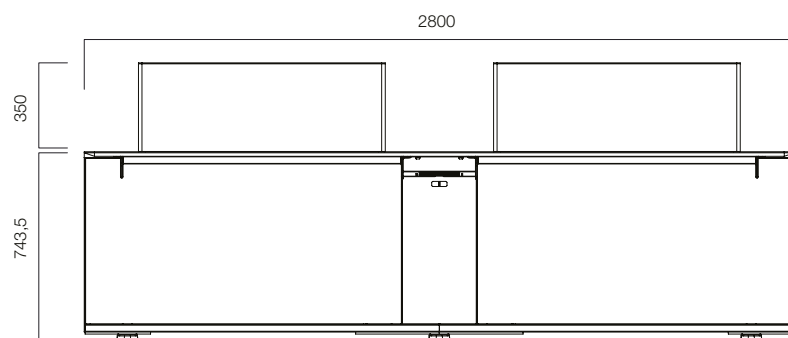
Flexibility at the modern office.



## DIMENSIONS (mm)



Double Bench



Quatro Bench

Dimensions defined in millimeters.

### Materials

Powder-coated legs and edges. Black or white laminated table top. Panels are produced by mesh fabric.\*

\*Please refer to technical document for more information.