

nurus

Marla Collection

Design by **Nurus D Lab**



First stop...

Marla was designed to keep the order in all living spaces from work spaces to homes and hotel rooms. Marla collection has two versions, Marla and Marla Maxi, and they both provide practical functionality with a well-balanced sturdy structure.



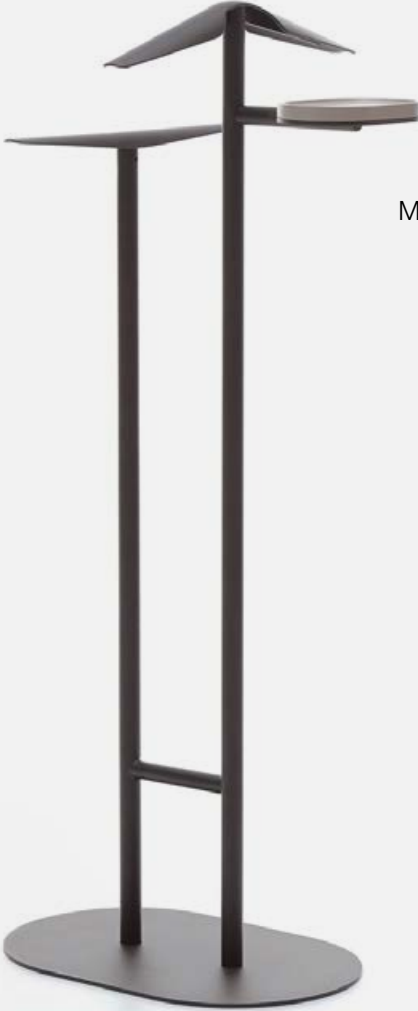
Marla provides harmony and order in all living spaces through minimal design and rich colour options.

Marla features a well-balanced and sturdy structure, and it is offered in two different options for your homes, work spaces, executive offices and hotel rooms. Marla Maxi includes a shelf and a trouser hanger which are not included in Marla collection.

Marla

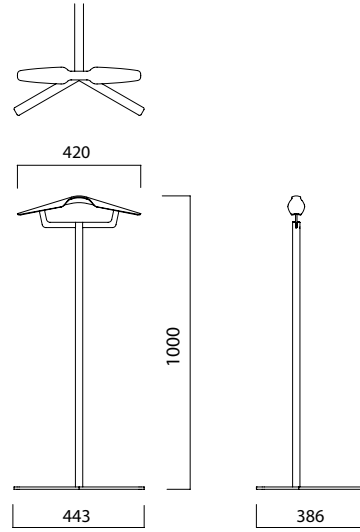


Marla Maxi

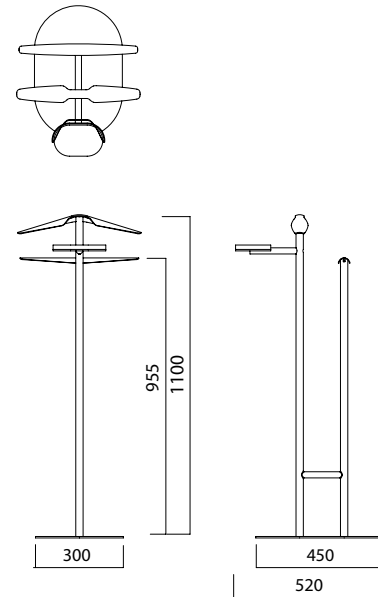




DIMENSIONS (mm)



Marla



Marla Maxi

nurus.com/marla