

nurus

CP1 Collection

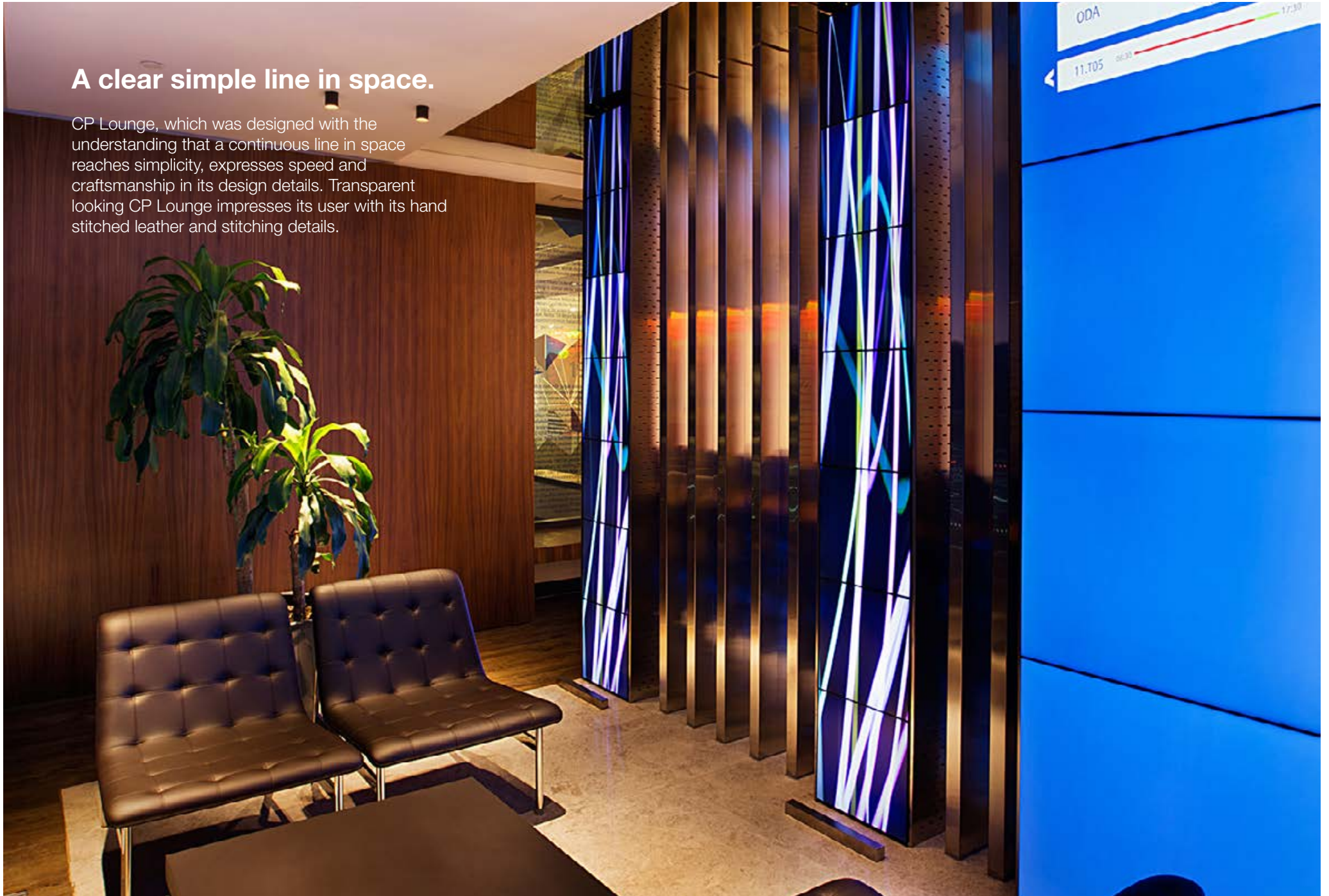
Design by **Charles Pollock**



BERNHARDT | design by **nurus**

A clear simple line in space.

CP Lounge, which was designed with the understanding that a continuous line in space reaches simplicity, expresses speed and craftsmanship in its design details. Transparent looking CP Lounge impresses its user with its hand stitched leather and stitching details.

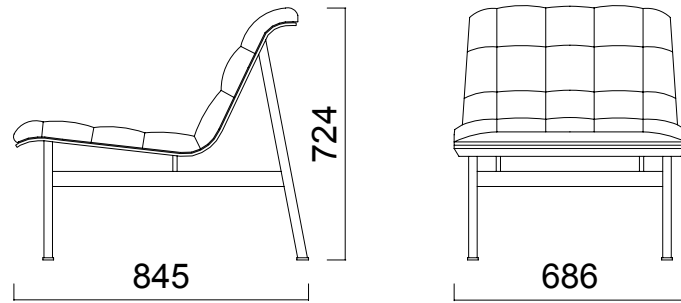


CP Lounge, which looks like swimming in vacuum, has two versions that have shined stainless steel frame. The first version has a fixed stitching that surrounds the chair circularly. The handmade quilted panels used in the back and the seat have suede, linoleum and leather options. In the second version, any chosen fabric and leather can be used.





DIMENSIONS (mm)



nurus.com/cp1