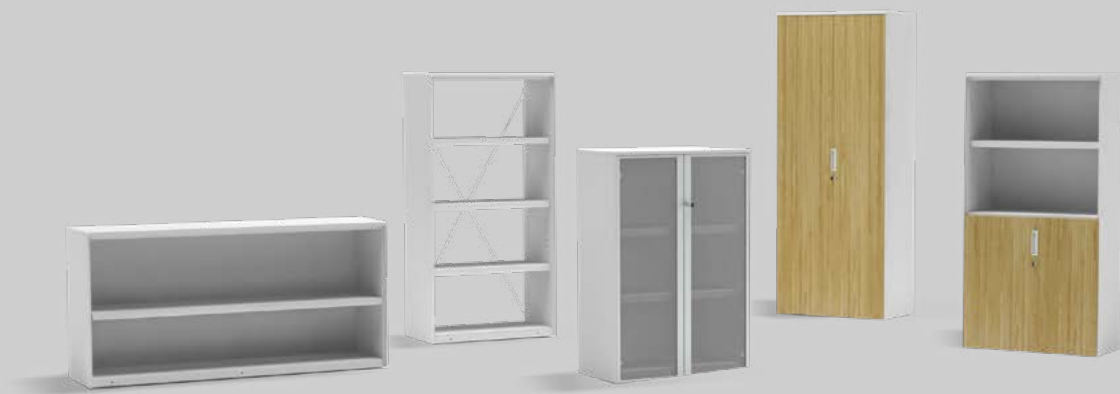


**nurus**



# Fe2 Cabinets

Design by **Nurus D Lab**

---

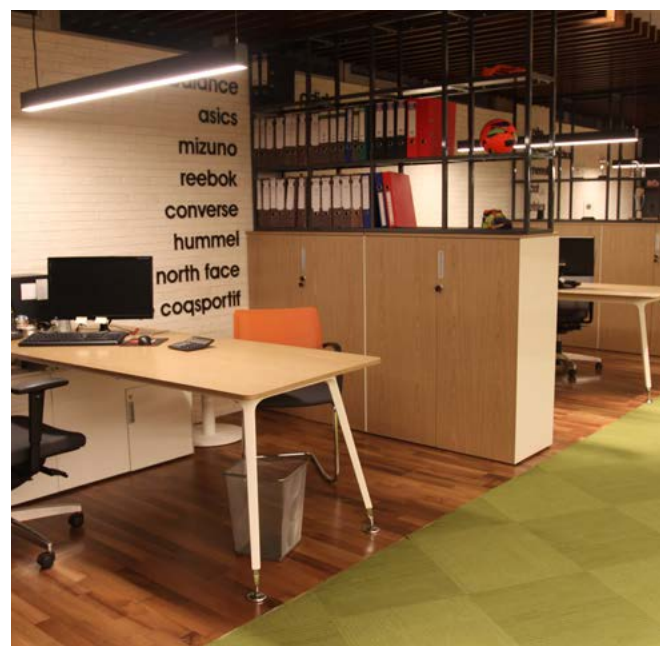
## Fe2 Cabinets

Designed with the awareness that each field has different storage needs, Fe2 provides flexible storage solutions for all spaces from homes to workspaces and social areas with a wide variety of different material options. As well as serving as a storage unit, Fe2 cabinets also help you separate the area into sections. Featuring different height and width options, Fe2 easily maintains order in all living spaces.

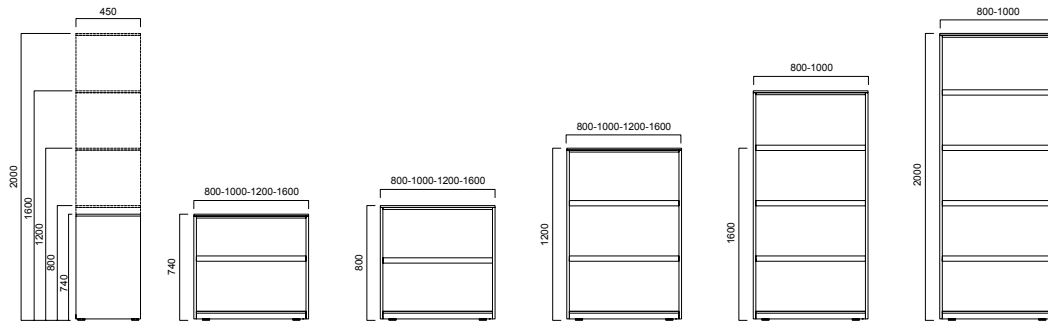
Fe2 cabinets include a number of versions for you to choose from; angled shelf, collapsible shelf, separator shelf, fixed hanger cabinet shelf, and mobile hanger cabinet shelf will help you adjust it to suit purpose of use. 450mm deep Fe2 cabinets can also be utilized with mini cells or cloth hangers.

## Design by Nurus D Lab

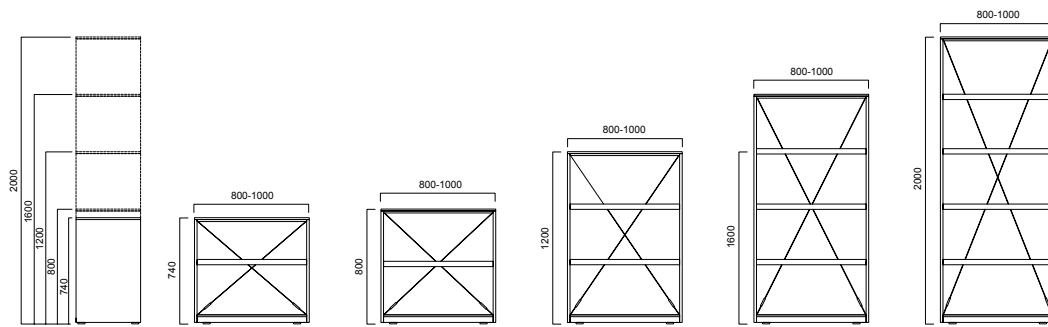
Always up-to-date with science and technology, Nurus D-Lab designs products that are ahead of their time. Through human-centered observation, prototyping and in respect to trending needs and dreams, the team works diligently. Coming up with meaningful and reflective design solutions only marks the start of the process: From strategy to launch and support, D-Lab manages it all. Each detail is attended and tested through at the advanced level.



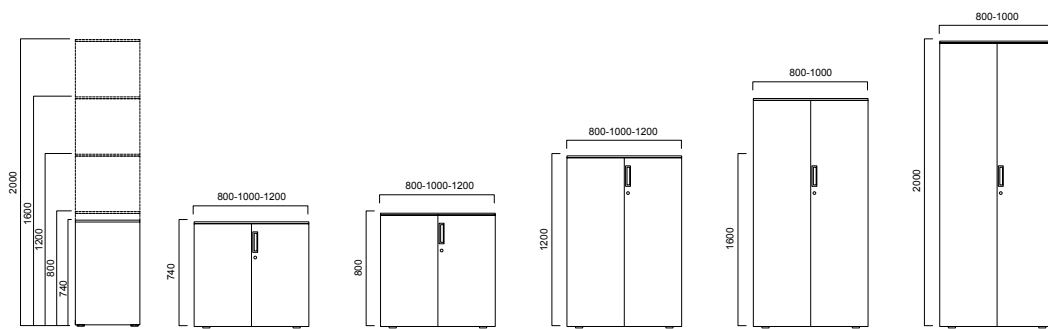
## DIMENSIONS (mm)



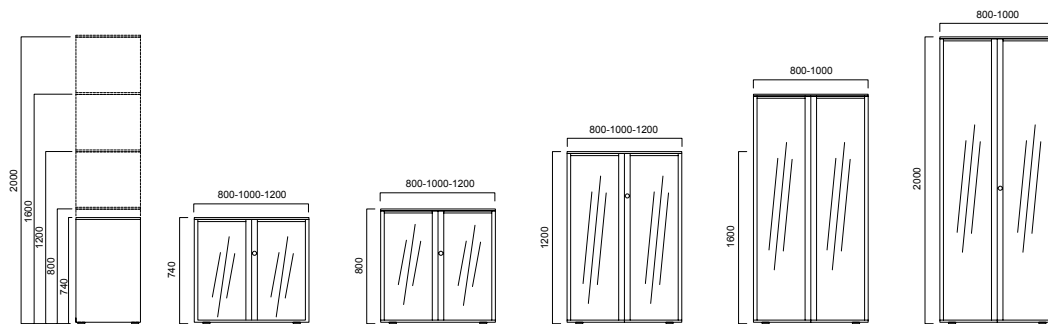
Fe2 Open-Shelf Cabinets



Fe2 Open Cabinets

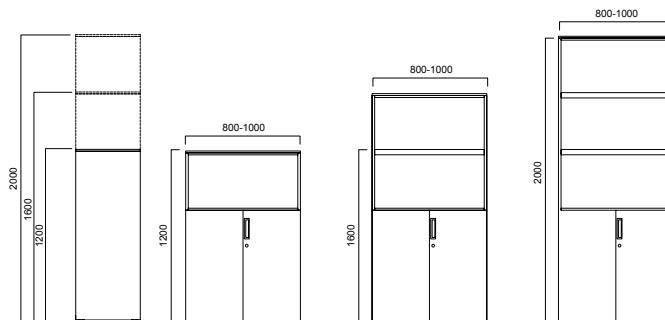


Fe2 Cabinets with Doors

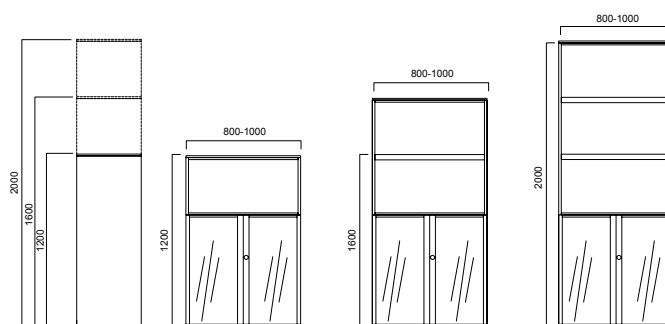


Fe2 Cabinets with Acrylic & Glass Doors

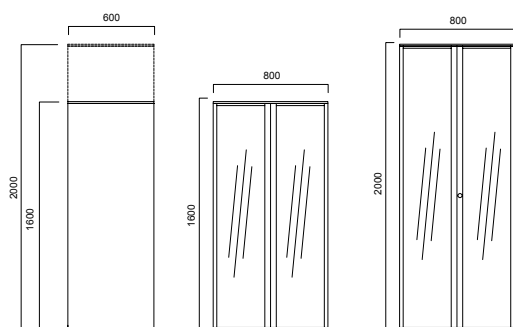
## DIMENSIONS (mm)



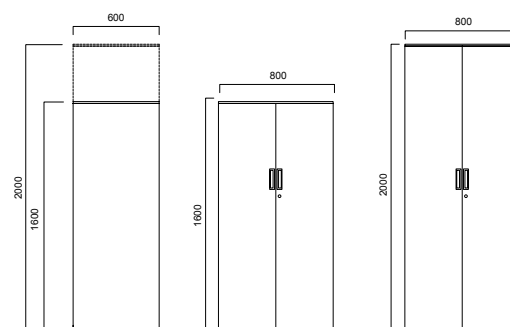
Fe2 Open-Shelf Cabinets with Doors



Fe2 Open-shelf Cabinets with Acrylic and Glass Doors



Fe2 Cloak Cabinets with Glass Doors



Fe2 Cloak Cabinets with Doors

Dimensions defined in millimetres.

### Material

Cabinet main body and shelves are made of metal. Doors, rear panel, and top tray can be metal, melamine, natural veneer, vintorio veneer, or recomposed veneer. Doors and rear panel should be made of same material. Doors feature aluminium frame glass (plain, acid-edged, acid-edged tempered), and acrylic choices.\*

\* Please refer to technical document for more information.